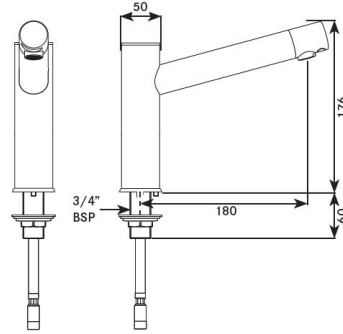


KWC

AQUARIUS DM Short pillar tap

Model line: AQUARIUS | **AT03-051**



AT03-051

AQUARIUS DM Short pillar tap chromed

The Aquarius range incorporate simple and modern design, with the latest electronic functionality. Sensor operated for maximum hygiene and efficiency. 5 litres per minute integrated flow control. (Standard 5LPM, Other flow rates available) Automatic purge function, Sensor range adjustment, Wave on/wave off function, Anti Vandal and Lock Out functions, Chlorination function. Single mixed feed connection by PEX lined hose (15mm connection). External TMV required.

Technical data

Type of tap	Aquarius pillar SV
Material	Brass
Waterway material	DZR brass
Surface finish	Chromed
Gross weight	1.95kg
Type of operation	Sensor
Type of mixing	Additional TMV may be required
Type of mounting	Deck mounted
Automatic purge	Yes* - Default: OFF / Options: 3, 6, 12, 24, 36 & 48 hours
Purge run time	Default 1 min* / Options: OFF, 30 secs, 1, 2, 4 & 8 mins
Spout projection	180mm
Minimum flow pressure	1.00 bar (Lower pressure station kits available)
Volume flow rate at 3 bar	5LPM (Other flow rates available)
Adjustable run time	Yes* - Default: 2 secs / Options: 2, 5, 10, 15, 20, 30 secs
Water connection	15mm PEX hose
Anti-Vandal function	Yes
Lock out function	Default OFF / Options: OFF, 4, 6, 8 & 10 operations
Chlorination function	Yes* - Default 2 mins / Options: 1, 2, 3, 4, 5, 10, 20 & 30 mins
Battery or mains station kit	Single Battery: AT00-001 Single Mains: AT00-002 - Other options available. Contact KWC DVS.
Working pressure	1-10 Bar (For Low / High pressure, Contact KWC DVS.)
Max working temperature	60°C
Fixing	¾" BSP
Fixing length	Up to 50mm with flange nut

Chromed finish. Requires a Station kit to operate. Station kits available in Single Station Battery or Mains Single Station, 2 Station or 3 Station for multiple connections. Refer to Station kit Data sheets.