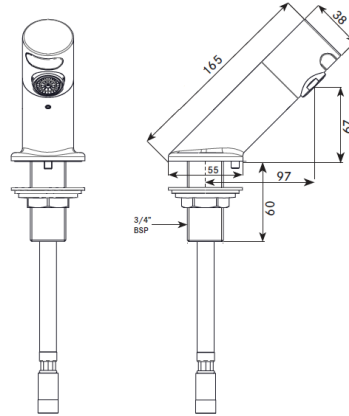


AQUARIUS A45 DOC M Polished with Copper tails

Model line: AQUARIUS | **AT03-024**



AT03-024

Aquarius A45 DOC M Polished with Copper tails

The Aquarius range incorporate simple and modern design, with the latest electronic functionality. Sensor operated for maximum hygiene and efficiency. 5 litres per minute integrated flow control. (Standard 5LPM, Other flow rates available) Automatic purge function, Sensor range adjustment, Wave on/wave off function, Anti Vandal and Lock Out functions, Chlorination function.

Single mixed feed connection by Copper tail (10mm). External TMV required. Brushed finish. Requires a Station kit to operate. Station kits available in Single Station Battery or Mains Single Station, 2 Station or 3 Station for multiple connections. Refer to Station kit

Technical data

Material	316 Stainless Steel
Gross weight	1 kg
Type of tap	Aquarius A45 DOC M
Type of mounting	Deck mounted
Surface finish	Polished
Type of operation	No Touch Sensor
Type of mixing	Additional TMV may be required
Automatic purge	Yes* - Default: OFF/Options: 3, 6, 12, 24, 36 & 48 hours
Purge run time	Default 1 min/ Options: OFF, 30 secs, 1, 2, 4 & 8 mins
Spout projection	97mm
Minimum flow pressure	1.00 bar (Lower pressure station kits available)
Volume flow rate at 3 bar	5LPM (Other flow rates available)
Adjustable run time	Yes* - Default: 2 secs/ Options: 2, 5, 10, 15, 20, 30 secs
Water connection	15mm PEX hose
Anti-Vandal function	Yes
Lock out function	Default OFF/ Options: OFF, 4, 6, 8 & 10 operations
Chlorination function	Yes* - Default 2 mins/ Options: 1, 2, 3, 4, 5, 10, 20 & 30 mins
Battery or mains station kit	Single Battery: AT00-001 Single Mains: AT00-002 - Other options available. Contact KWC DVS.
Working pressure	1-10 Bar (For Low / High pressure, Contact KWC DVS.)
Max working temperature	60°C
Fixing	3/4" BSP
Fixing length	Up to 50mm with flange nut