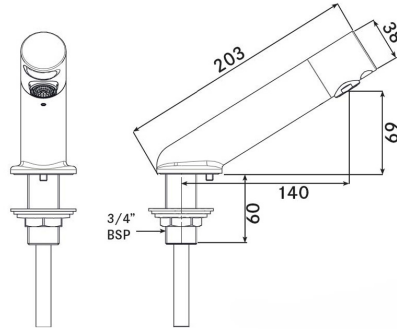


KWC

AQUARIUS DM A32 tap spout only polished with copper tails

Model line: AQUARIUS | **AT03-004**



AT03-004

Aquarius A32 DOC M Polished with copper tails

The Aquarius range incorporate simple and modern design, with the latest electronic functionality. Sensor operated for maximum hygiene and efficiency, 5 litres per minute integrated flow control. (Standard 5LPM, Other flow rates available). Automatic purge function, Sensor range adjustment, Wave on/wave off function, Anti-vandal and Lock Out functions, Chlorination function. Single mixed feed connection by Copper tail (10mm). External TMV required.

Technical data

Type of tap	Aquarius A32
Material	316 stainless steel
Surface finish	Polished
Gross weight	1.1kg
Type of operation	No touch sensor
Type of mounting	Deck mounted
Type of mixing	Additional TMV may be required
Automatic purge	Yes* - Default: OFF/Options: 3, 6, 12, 24, 36 & 48 hours
Purge run time	Default 1 min/ Options: OFF, 30 secs, 1, 2, 4 & 8 mins
Spout projection	140mm
Minimum flow pressure	1.00 bar (Lower pressure station kits available)
Volume flow rate at 3 bar	5LPM (Other flow rates available)
Adjustable run time	Yes* - Default: 2 secs/ Options: 2, 5, 10, 15, 20, 30 secs
Water connection	10mm copper tails
Anti-Vandal function	Yes
Lock out function	Default OFF/ Options: OFF, 4, 6, 8 & 10 operations
Chlorination function	Yes* - Default 2 mins/ Options: 1, 2, 3, 4, 5, 10, 20 & 30 mins
Battery or mains station kit	Single Battery: AT00-001 Single Mains: AT00-002 - Other options available. Contact KWC DVS.
Working pressure	1-10 Bar (For Low / High pressure, Contact KWC DVS.)
Max working temperature	60°C
Fixing	3/4" BSP
Fixing length	Up to 50mm with flange nut

Polished finish. Requires a Station kit to operate. Station kits available in Single Station Battery or Mains Single Station, 2 Station or 3 Station for multiple connections. Refer to Station kit data sheets.