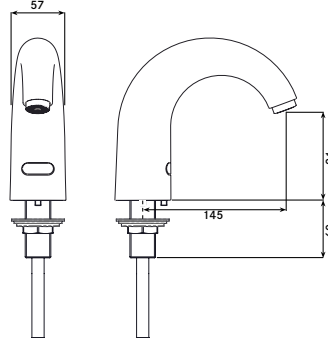


CLASSIC SWAN Chromed with Copper Tails

Model line: **CLASSIC SWAN | AT01-012**



AT01-012

Chromed Classic Swan no touch tap

The Classic range incorporate a simple and elegant design, with the latest electronic functionality. Sensor operated for maximum hygiene and efficiency, 5 litres per minute integrated flow control. (Standard 5LPM, Other flow rates available) Automatic purge function, Sensor range adjustment, Wave on/wave off function, Anti Vandal and Lock Out functions, Chlorination function. Single mixed feed connection by Copper tail (10mm). External TMV required.

Chromed finish. Requires a Station kit to operate. Station kits available in Single Station Battery or Mains Single Station, 2 Station or 3 Station for multiple connections. Refer to Station kit Data sheets.

Technical data

Type of tap	Classic Swan
Material	Brass
Surface finish	Chromed
Gross weight	1.5 kg
Type of operation	Sensor
Type of mounting	Deck mounted
Type of mixing	Additional TMV may be required
Automatic purge	Yes* - Default: OFF/Options: 3, 6, 12, 24, 36 & 48 hours
Purge run time	Default 1 min/ Options: OFF, 30 secs, 1, 2, 4 & 8 mins
Spout projection	145mm
Minimum flow pressure	1.00 bar (Lower pressure station kits available)
Volume flow rate at 3 bar	5LPM (Other flow rates available)
Adjustable run time	Yes* - Default: 2 secs/ Options: 2, 5, 10, 15, 20, 30 secs
Water connection	10mm Copper tails
Anti-Vandal function	Yes
Lock out function	Default OFF/ Options: OFF, 4, 6, 8 & 10 operations
Chlorination function	Yes* - Default 2 mins/ Options: 1, 2, 3, 4, 5, 10, 20 & 30 mins
Battery or mains station kit	Single Battery: AT00-001 Single Mains: AT00-002 - Other options available. Contact KWC DVS.
Working pressure	1-10 Bar (For Low / High pressure, Contact KWC DVS.)
Max working temperature	60°C
Fixing	¾" BSP
Fixing length	Up to 50mm with flange nut