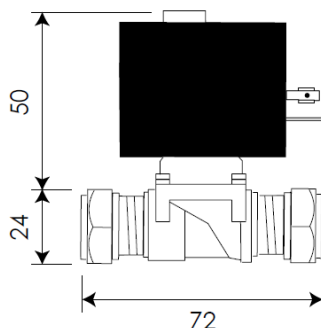


## V DC ASCO valve



### AC17-005

6V DC ASCO valve

6V DC Latching valve with brass body. 6.7mm Orifice with compression fittings for 15mm pipe.

### Technical data

Gross weight	0.215kg
Material	Brass
Seal material	NBR (Nitrile)
Voltage	6V DC
Power	6W
Working temperature range	0°C to 60°C
Max. working pressure	0.7 bar : Static
Min working pressure	0.2 bar
Connection	15mm compression fitting
Orifice size	6.7mm
Operation type	Latching
Electrical connection	Spade connectors / cable Ø 6-10mm