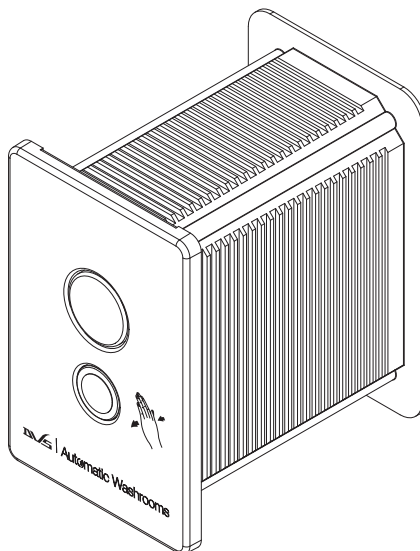


# Manual Override Plate

Model: D102/MO for use with D103/V2 WC Flushvalves



Tel: +44 (0) 1803 529021  
 Fax: +44 (0) 1803 559016  
 www.dartvalley.co.uk

## Installation instructions

### 1

#### Safety first

These instructions relate to the use of the Manual Override Plate only, any external or 'add-on' parts will be supplied with separate instructions.

It is recommended that the electrical part of the installation be carried out by a qualified electrician in accordance with the latest electrical regulations. It is also recommended that any plumbing is carried out by a qualified plumber.

This is a sophisticated electronic device which must be installed correctly to perform correctly.

If the appliance is used by persons (including children) with reduced physical, sensory or mental capabilities, or lack of experience and knowledge, they must be given adequate supervision or instruction concerning use of the appliance by a person responsible for their safety.

Children should be supervised to ensure that they do not play with the appliance.

**IMPORTANT** Please read these instructions carefully and follow each stage in order!

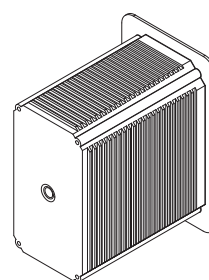


220-240V a.c

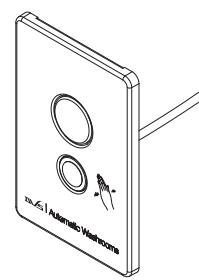
### 2

#### Kit contents

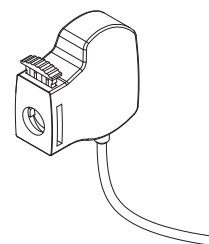
Your kit will include the following items:



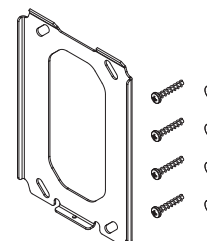
Enclosure



Front plate complete with push button and wave-on sensor



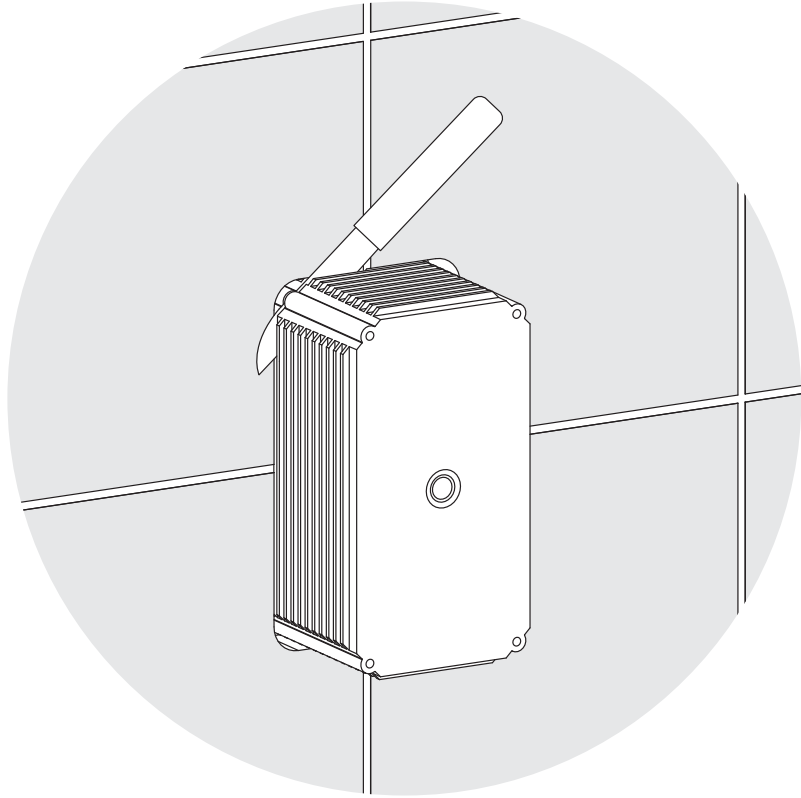
Push mechanism



Fixing plate and 4 x screws and washers

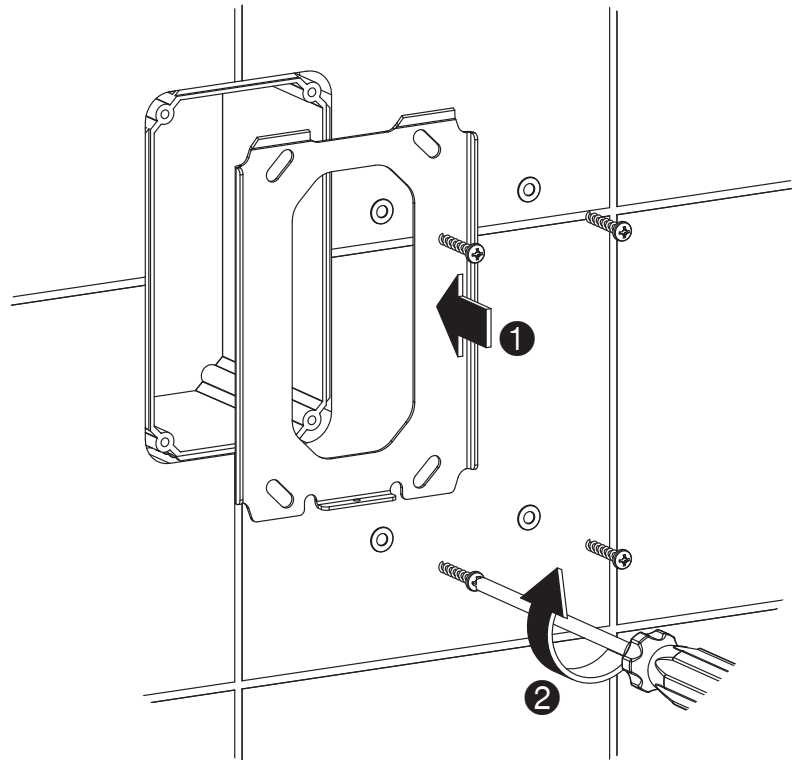
3

Installation of enclosure



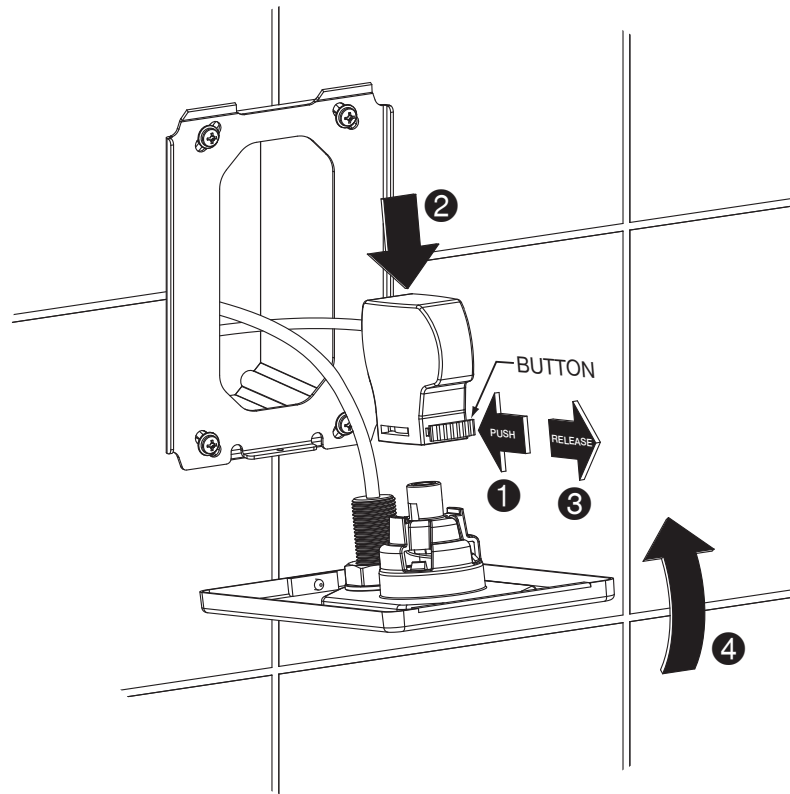
4

Installation of wall bracket



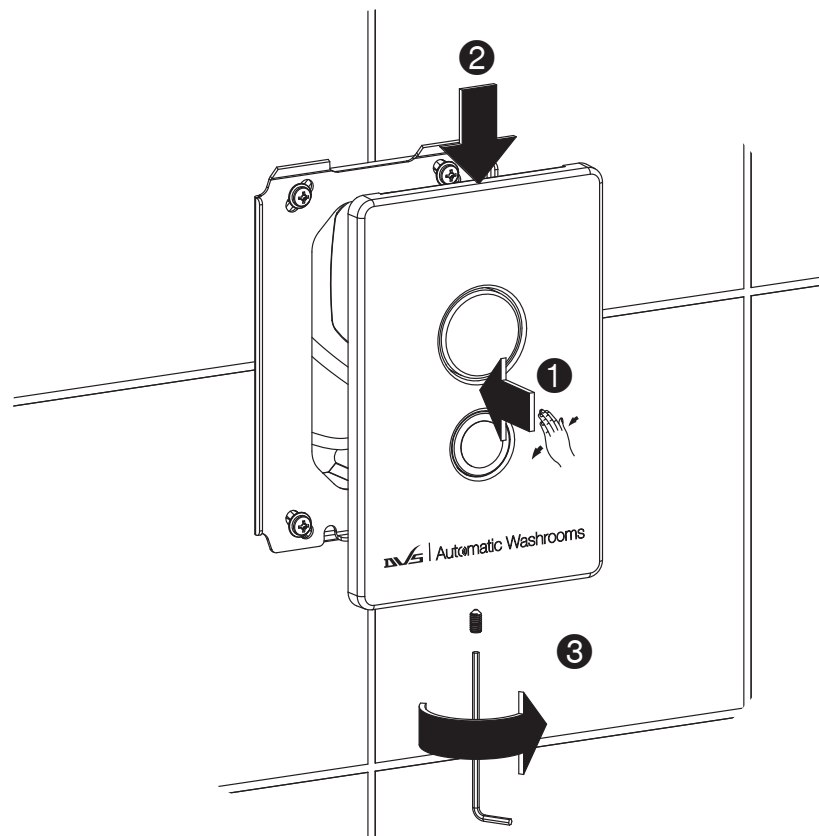
**5**

Connection of flush plate



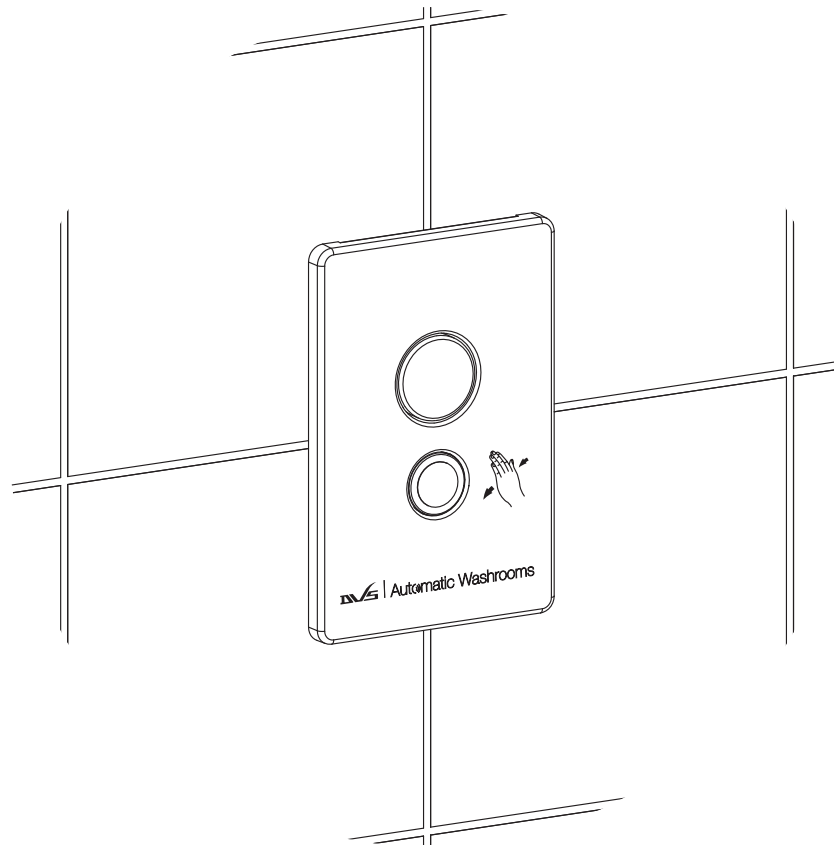
**6**

Locating flush plate



7

Complete



8

End of life disposal



The use of this crossed out wheeled bin logo indicates that this product needs to be disposed of separately to any other household waste.

Within each of the European Union member countries, provisions have been made for the collection and recycling of unwanted electrical and electronic equipment. Outside of the EU it will be necessary to dispose of this product at your local community waste collection or recycling centre.

In order to help preserve our environment we ask that you dispose of this product correctly.

Please contact your local city council for collection centre details.

### Head Office

Dart Valley Systems Ltd  
Kemmings Close,  
Long Road,  
Paignton, Devon  
TQ4 7TW  
UK

### Contact Details

T: +44 (0) 1803 529021  
F: +44 (0) 1803 559016  
E: sales@dartvalley.co.uk  
W: www.dartvalley.co.uk



Dart Valley Systems